



*[sales@rcontrolsips.com](mailto:sales@rcontrolsips.com)*

R-Control SIPS

---

NAILBASE

## ROOF APPLICATIONS CONSTRUCTION MANUAL

Note: Information deemed reliable at time of printing.  
Please visit [www.rcontrolsips.com](http://www.rcontrolsips.com) for the latest information.



# ROOF APPLICATIONS CONSTRUCTION MANUAL

When you choose R-Control SIPS Nailbase, you're collaborating with a team of experts who work with you every step of the way. We're here to answer your questions, solve your problems, and do everything we can to make sure your project proceeds smoothly—and ends successfully.

R-Control SIPS products are manufactured by R-Control SIPS, LLC. R-Control SIPS adhere to strict, consistent standards to ensure high-quality.

We offer architects, designers and builders the best of both worlds: the resources of the country's largest provider of R-Control SIPS Nailbase products and systems, and the superior attention and customer service of a local supplier.

**Note:** Information deemed reliable at time of printing. Please visit [www.rcontrolsips.com](http://www.rcontrolsips.com) for the latest information.

# Table of Contents

## ThermaFoam R-Control Nailbase

---

### Details

Sizes and Dimensions . . . . .	FC-100
Sizes and Dimensions . . . . .	FC-100a
Sizes and Dimensions . . . . .	FC-100b
Roof Ridge . . . . .	FC-101
Roof Ridge . . . . .	FC-101a
Vented Roof Ridge . . . . .	FC-101b
Roof Valley . . . . .	FC-102
Roof Valley . . . . .	FC-102a
Square Cut Eave . . . . .	FC-103
Plumb Cut Eave . . . . .	FC-103a
Vented Eave . . . . .	FC-103b
Wall Intersection . . . . .	FC-104
Wall Intersection . . . . .	FC-104a
Vented Wall Intersection . . . . .	FC-104b
Gable End . . . . .	FC-105
Vented Gable . . . . .	FC-105a
Spline Connection . . . . .	FC-106
Butt Connection . . . . .	FC-106a

---

### Technical Bulletins

Fastening Requirements for Sloped Roofs . . .	Nailbase No. 4001
Asphalt Shingles . . . . .	Nailbase No. 4002
Metal Roof Ventilation with Enkamat 7020 . . .	Nailbase No. 4003
Ventilation Accessory Products . . . . .	Nailbase No. 4006

# General Recommendations

---

## R-Control SIPS Nailbase Sizes

R-Control SIPS Nailbase is made in a variety of sizes, most commonly 4' x 8'. Consult R-Control SIPS for sizes, thicknesses, and fabrication services available in your area.

---

## Environmentally Safe

The core material for R-Control SIPS Nailbase, R-Control SIPS insulation, contains no CFCs, HCFCs, HFCs or formaldehyde and is recyclable. R-Control SIPS insulation is inert, non-nutritive and highly stable. R-Control SIPS encourages you to support recycling and energy conservation.

---

## Warranty

R-Control SIPS provides a 50-year warranty covering thermal performance. Contact R-Control SIPS for details regarding the warranty program.

---

## Handling - Storage - Protection

R-Control SIPS Nailbases should be stored in a fully supported manner and protected from weather. Cover stored R-Control SIPS Nailbase with tarps or similar protective wraps. Exposure 1 OSB facings are used in R-Control SIPS Nailbase manufacture; however, panels used for roof systems must have temporary roofing applied at the time of installation. Apply finished roofing when immediately practical.

Metal roof systems have inherent properties that may cause R-Control SIPS Nailbase roofs covered with these materials to become hotter than other roof systems. When installing metal roof systems on R-Control SIPS Nailbase, additional design considerations may be necessary to protect the roofing underlayment and the R-Control SIPS Nailbase from excessive temperatures. These design precautions may include the use of a ventilated air space above the R-Control SIPS Nailbase to minimize temperature exposure. Consult R-Control SIPS for local recommendations.

Molded polystyrene contains a flame retardant additive. However, the molded polystyrene should be considered combustible and used with code approved thermal barriers and should not be stored near any open flame or source of ignition. Do not install or use molded polystyrene with coal-tar pitch or highly solvent extended mastics, adhesives or sealants. Consult ThermaFoam for suggested adhesives, sealants, and assembly specifications not otherwise detailed in this manual.

## General Recommendations - cont'd

---

### Low VOC Do-All-Ply and Splines

R-Control SIPS Nailbase may be joined as needed using splines. These attachments are made with nails, staples, or screws and Low VOC Do-All-Ply.

Spline Connection and Low VOC Do-All-Ply use shall be as specified by the design professional based upon structure design, climate zone, and moisture vapor analysis.

---

### Vapor Retarders

R-Control SIPS Nailbase may require the use of a vapor retarder to ensure long term durable roof structures. Consult with a local design professional for a recommendation.

---

### Special Treatments

R-Control SIPS Nailbase can be produced with R-Control SIPS insulation with borate that protects the core insulation from potential termite damage. Please contact R-Control SIPS to learn about specifications for these special treatments.



---

### Disclaimer

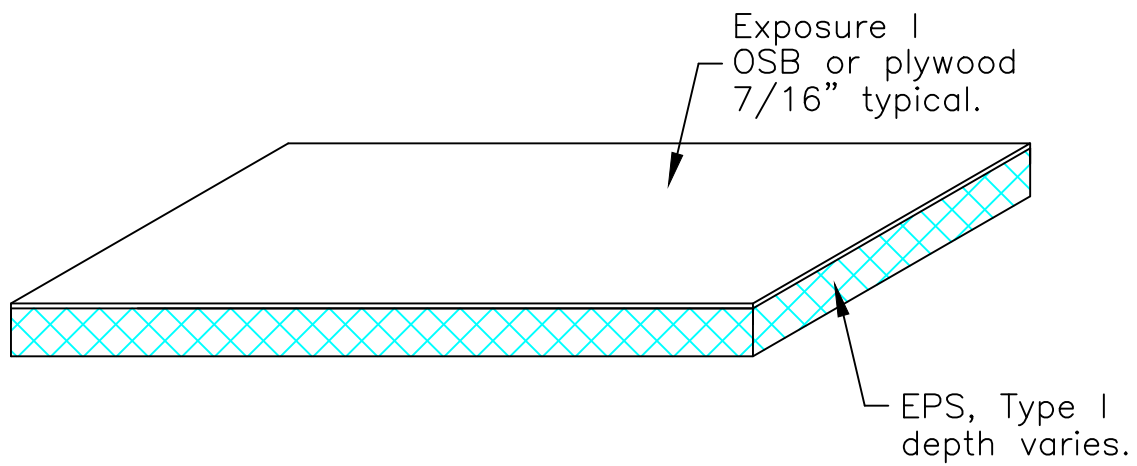
Details, illustrations, pictures and guidelines provided herein give basic information and illustrate examples of R-Control SIPS Nailbase installation. The basic information provide herein is not intended to cover every potential use and application of R-Control SIPS Nailbase. It is the responsibility of the installer to become familiar with his specific application and determine if R-Control SIPS Nailbase is suitable. By commencing work, the installer accepts full responsibility for the proper and safe installation of R-Control SIPS Nailbase at his job site. Adding an insulation component may change the behavior of a roof assembly with regard to air movement, water vapor transmittance, bulk water management and heating, cooling and ventilation systems. It is the responsibility of the owner or the owner's representative to design the insulated roof assembly to perform in a manner ensuring function and durability. Furthermore, it is the sole responsibility of the installer to meet all federal and local regulatory requirements for job site safety for himself, his workers and any others on the job site while in the execution of all phases of R-Control SIPS Nailbase installation.

Nailbase.

Width/Length: 4' x 8' standard.

Thickness: 2", 4", 6", 7-3/4", 9-3/4", 11-3/4" standard.

Custom width, length, and thickness available.



ISOMETRIC

Scale: NTS

Updated 6-1-20

Nailbase

TITLE:  
Sizes and Dimensions

NO.  
NB-100

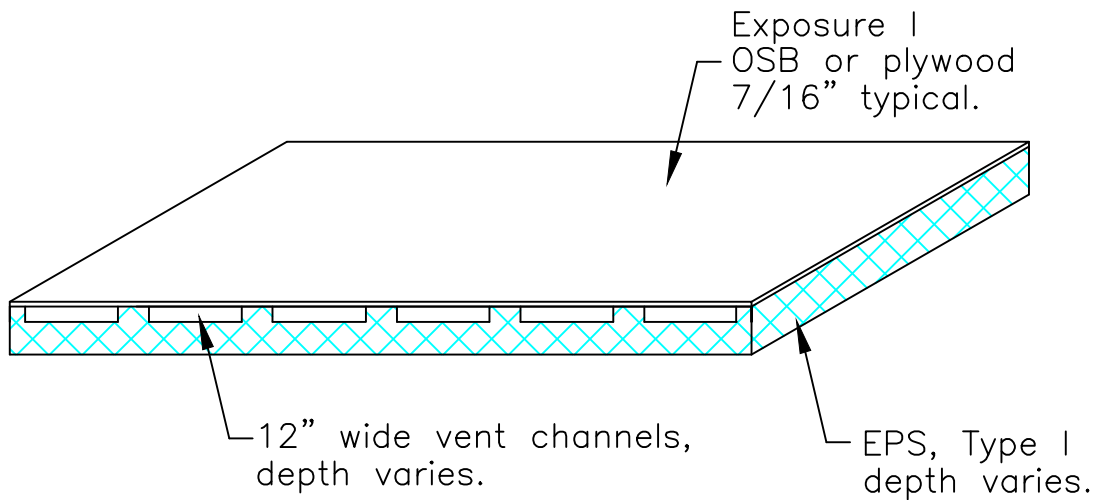
Nailbase Vent-1.

Width/Length: 4' x 8' standard.

Thickness: 2", 4", 6", 7-3/4", 9-3/4", 11-3/4" standard.

Vent Channel Depth: 1/2", 1", 1-1/2", 2" standard.

Custom width, length, thickness, and vent channel depth available.



# ISOMETRIC

Scale: NTS

Updated 6-1-20

## Nailbase

TITLE:  
Sizes and Dimensions

NO.  
NB-100a

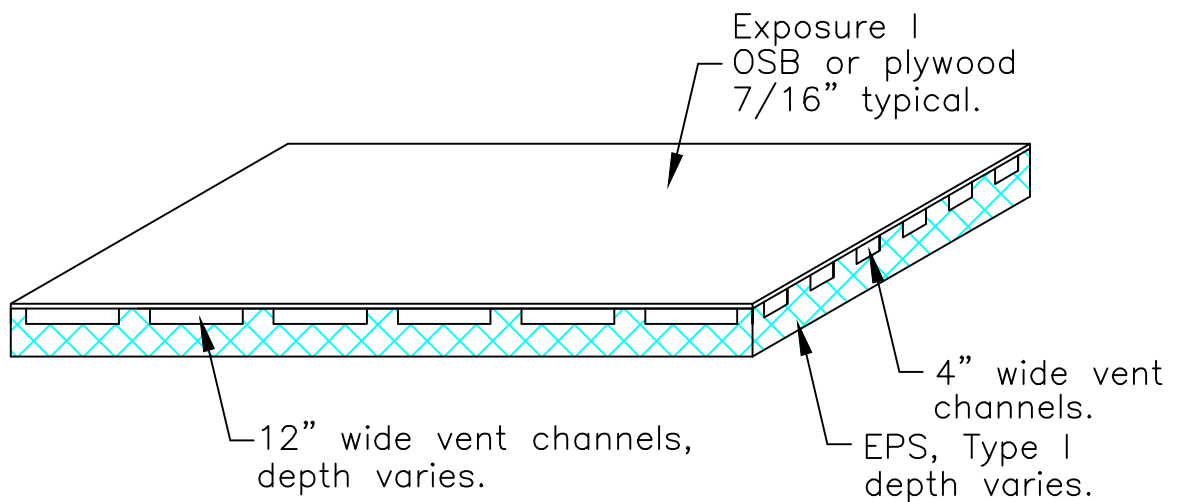
Nailbase Vent-2.

Width/Length: 4' x 8' standard.

Thickness: 2", 4", 6", 7-3/4", 9-3/4", 11-3/4" standard.

Vent Channel Depth: 1/2", 1", 1-1/2", 2" standard.

Custom width, length, thickness, and vent channel depth available.



# ISOMETRIC

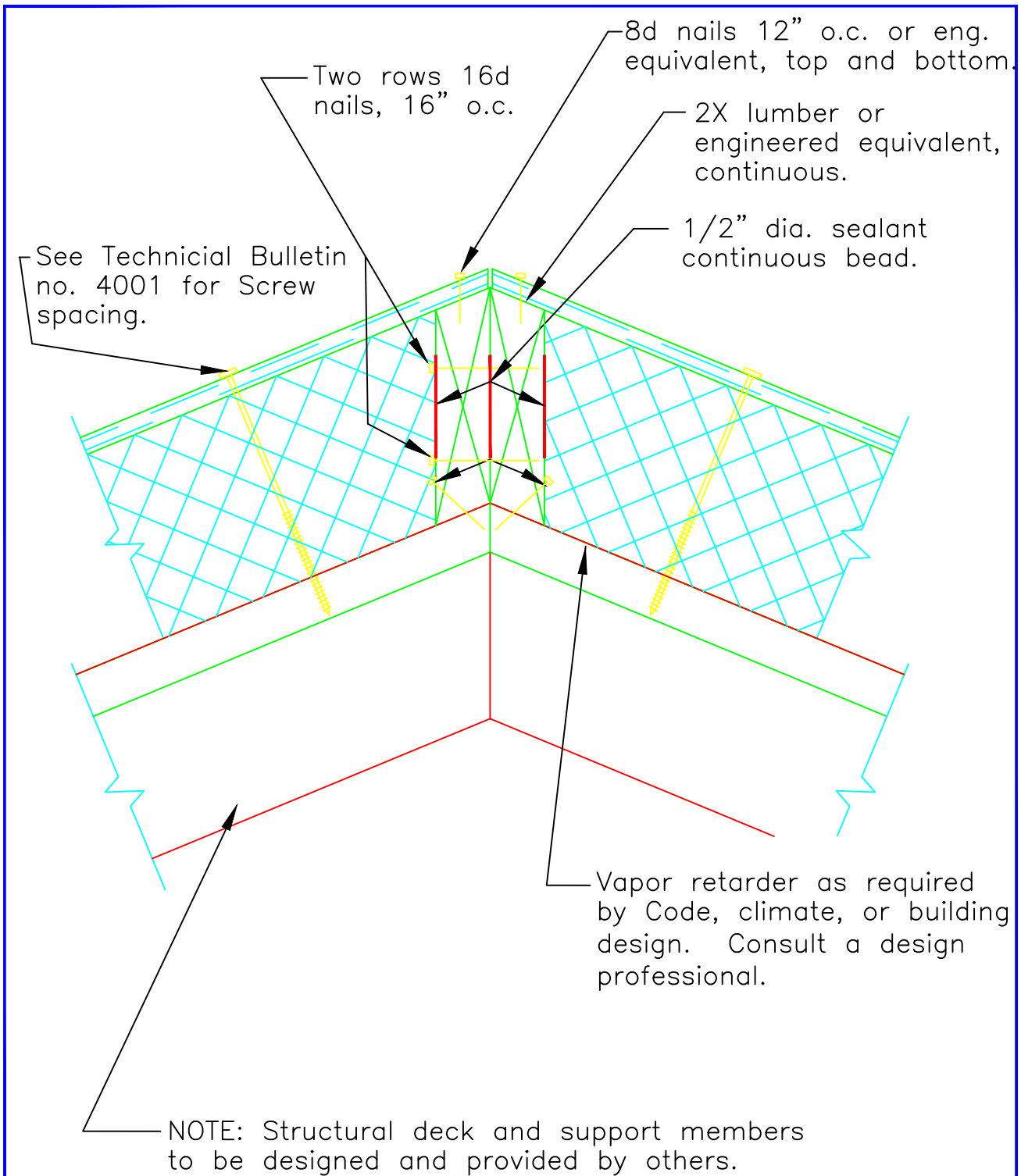
Scale: NTS

Updated 6-1-20

## Nailbase

TITLE:  
Sizes and Dimensions

NO.  
NB-100b



# SECTION

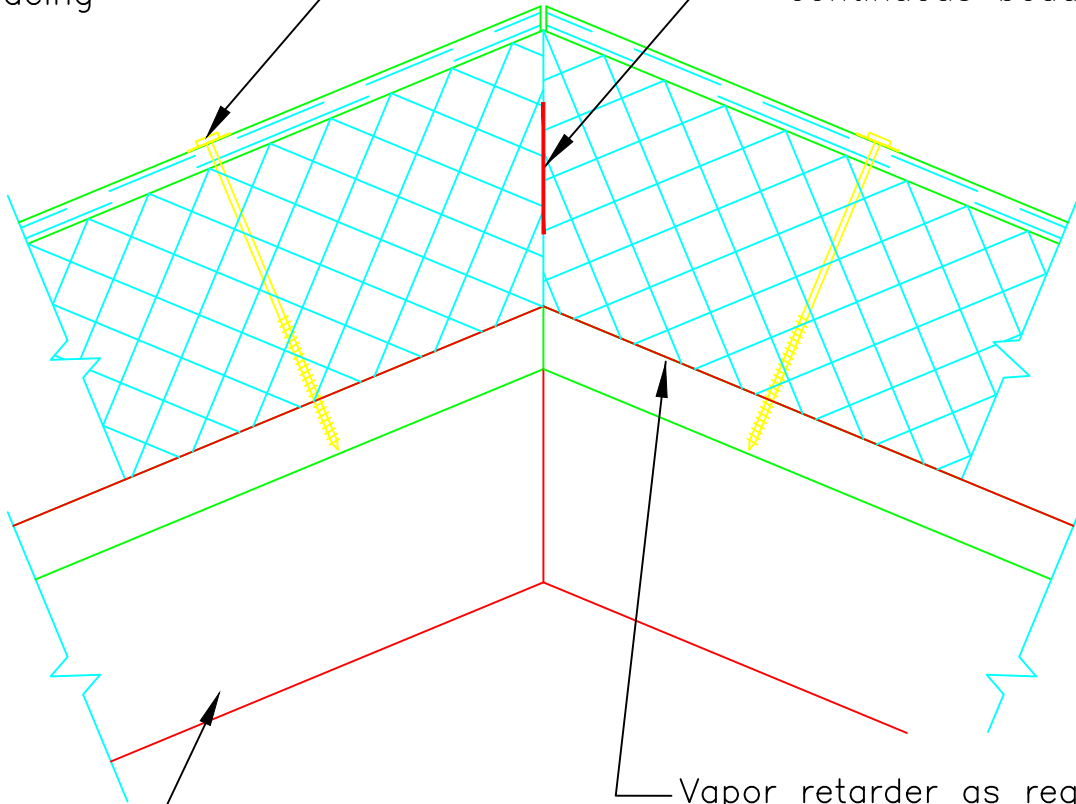
Scale: NTS

Updated 6-1-20

Nailbase	
TITLE: Roof Ridge	NO. NB-101

See Technical Bulletin  
no. 4001 for Screw  
spacing

1/2" dia. sealant  
continuous bead.



Vapor retarder as required  
by Code, climate, or building  
design. Consult a design  
professional.

NOTE: Structural deck and support members  
to be designed and provided by others.

## SECTION

Scale: NTS

Updated 6-1-20

### Nailbase

TITLE:

Roof Ridge

NO.

NB-101a

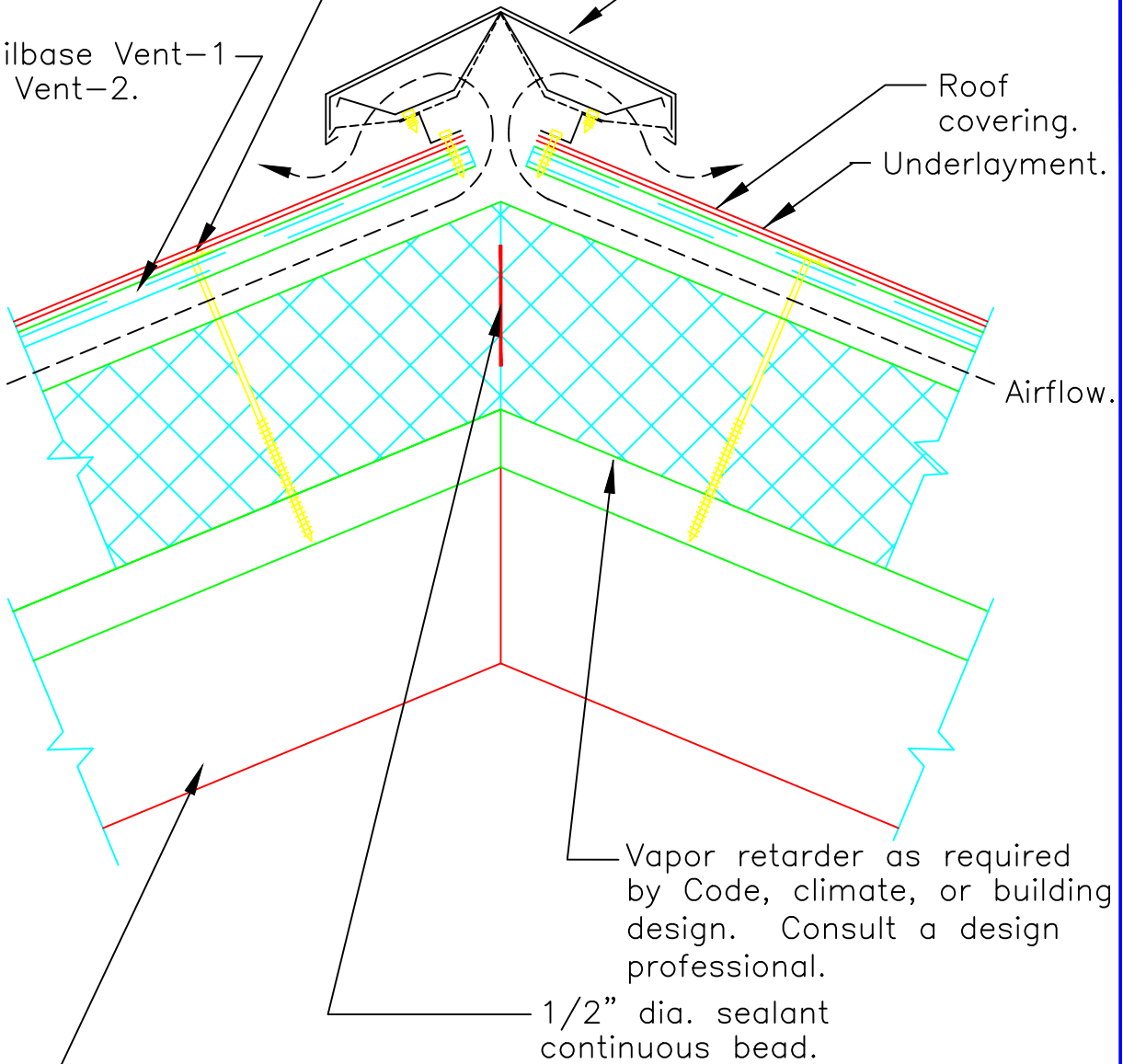
See Technical Bulletin no. 4001 for screw spacing.

Nailbase Vent-1 or Vent-2.

HI-PERF ridge vent by METAL-ERA or equivalent.

Roof covering.

Underlayment.



Airflow.

Vapor retarder as required by Code, climate, or building design. Consult a design professional.

1/2" dia. sealant continuous bead.

NOTE: Structural deck and support members to be designed and provided by others.

# SECTION

Scale: NTS

Updated 6-1-20

## Nailbase

TITLE:

Vented Roof Ridge

NO.

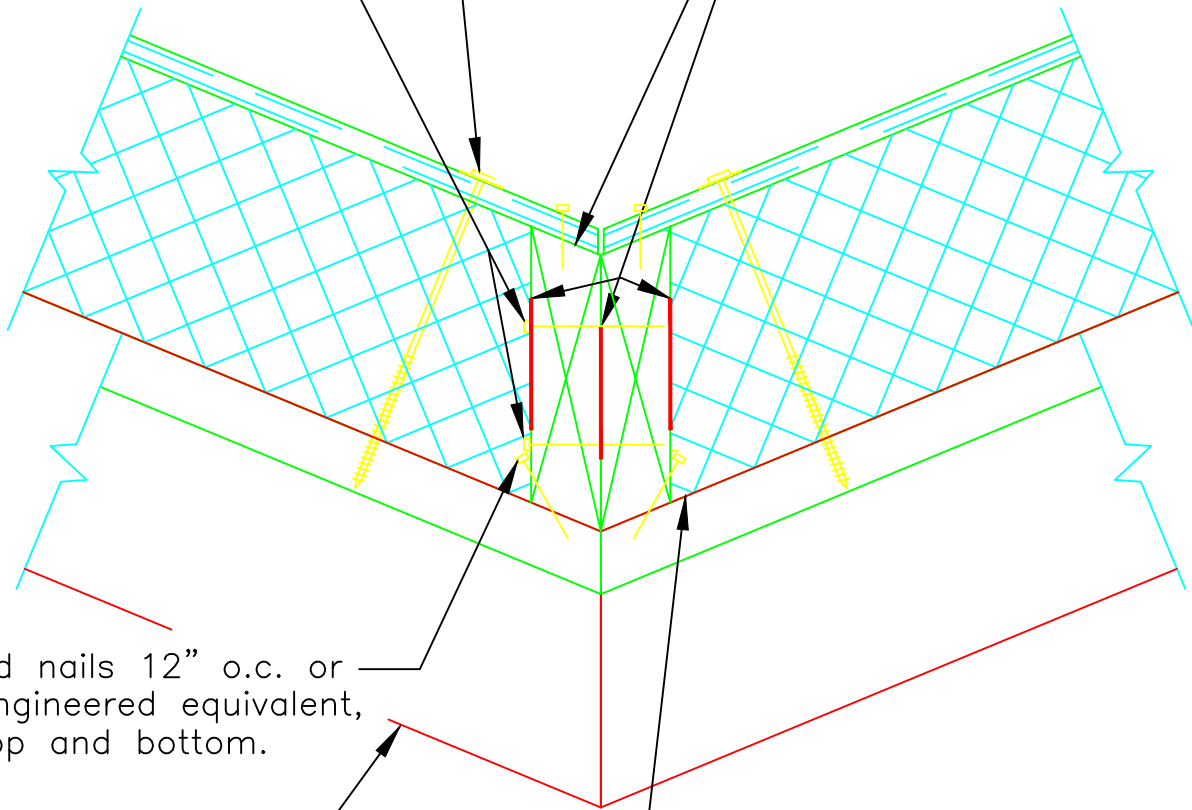
NB-101b

See Technical Bulletin  
no. 4001 for Screw  
spacing

Two rows 16d  
nails, 16" o.c.

2X lumber or  
engineered equivalent,  
continuous.

1/2" dia. sealant  
continuous bead.



8d nails 12" o.c. or  
engineered equivalent,  
top and bottom.

Vapor retarder as required  
by Code, climate, or building  
design. Consult a design  
professional.

NOTE: Structural deck and support members  
to be designed and provided by others.

## SECTION

Scale: NTS

Updated 6-1-20

### Nailbase

TITLE:

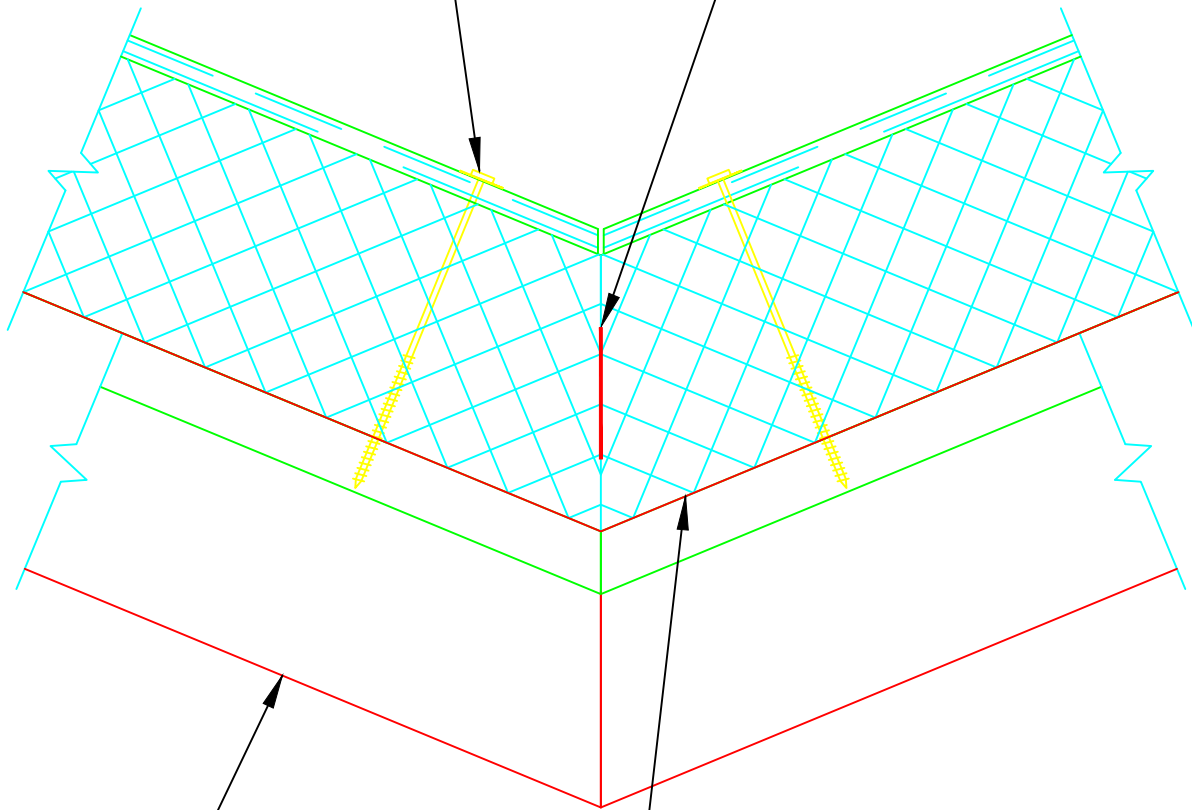
Roof Valley

NO.

NB-102

See Technical Bulletin  
no. 4001 for Screw  
spacing

1/2" dia. sealant  
continuous bead.



Vapor retarder as required  
by code, climate, or building  
design. Consult a design  
professional.

NOTE: Structural deck and support members  
to be designed and provided by others.

## SECTION

Scale: NTS

Updated 6-1-20

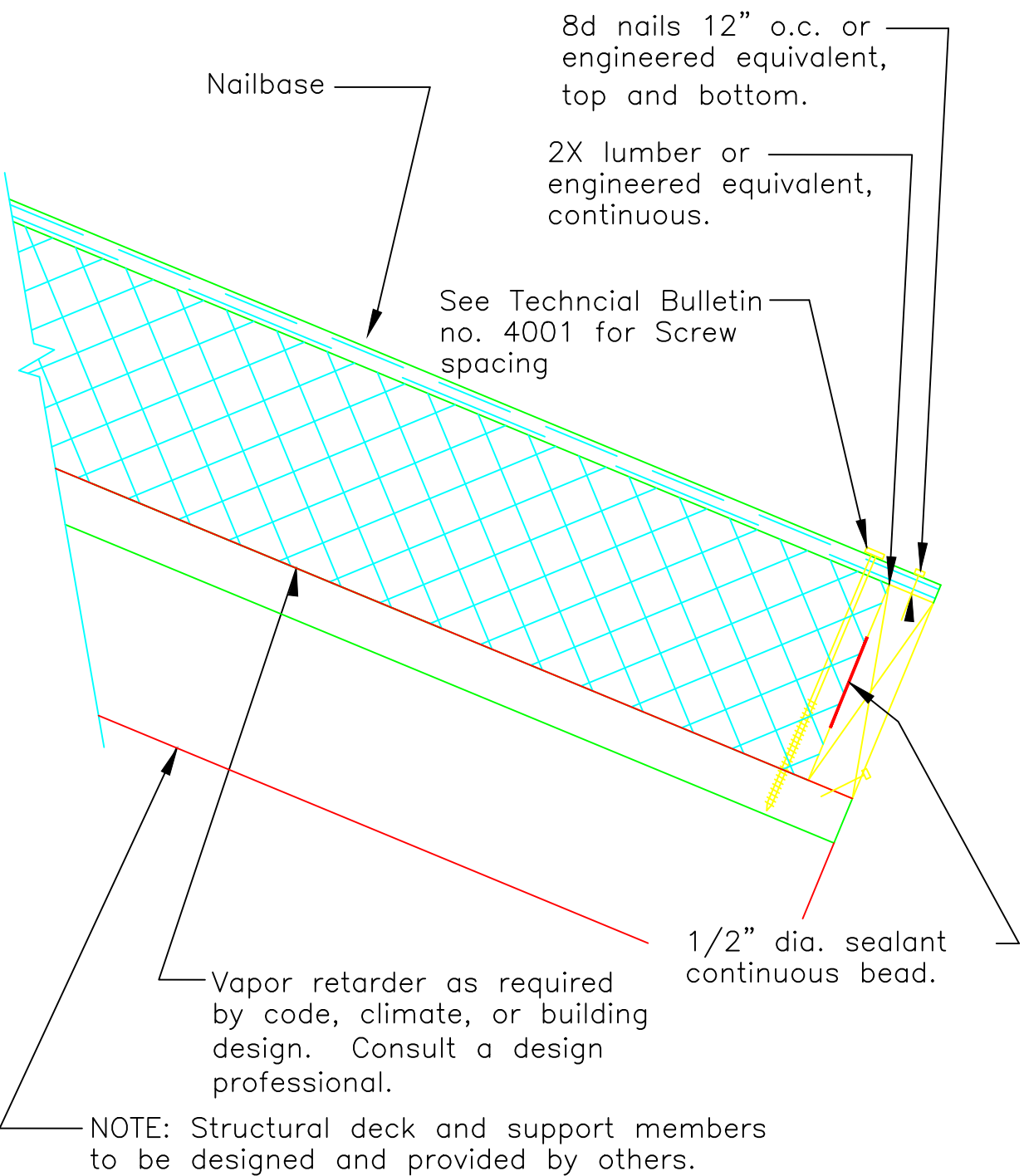
### Nailbase

TITLE:

Roof Valley

NO.

NB-102a



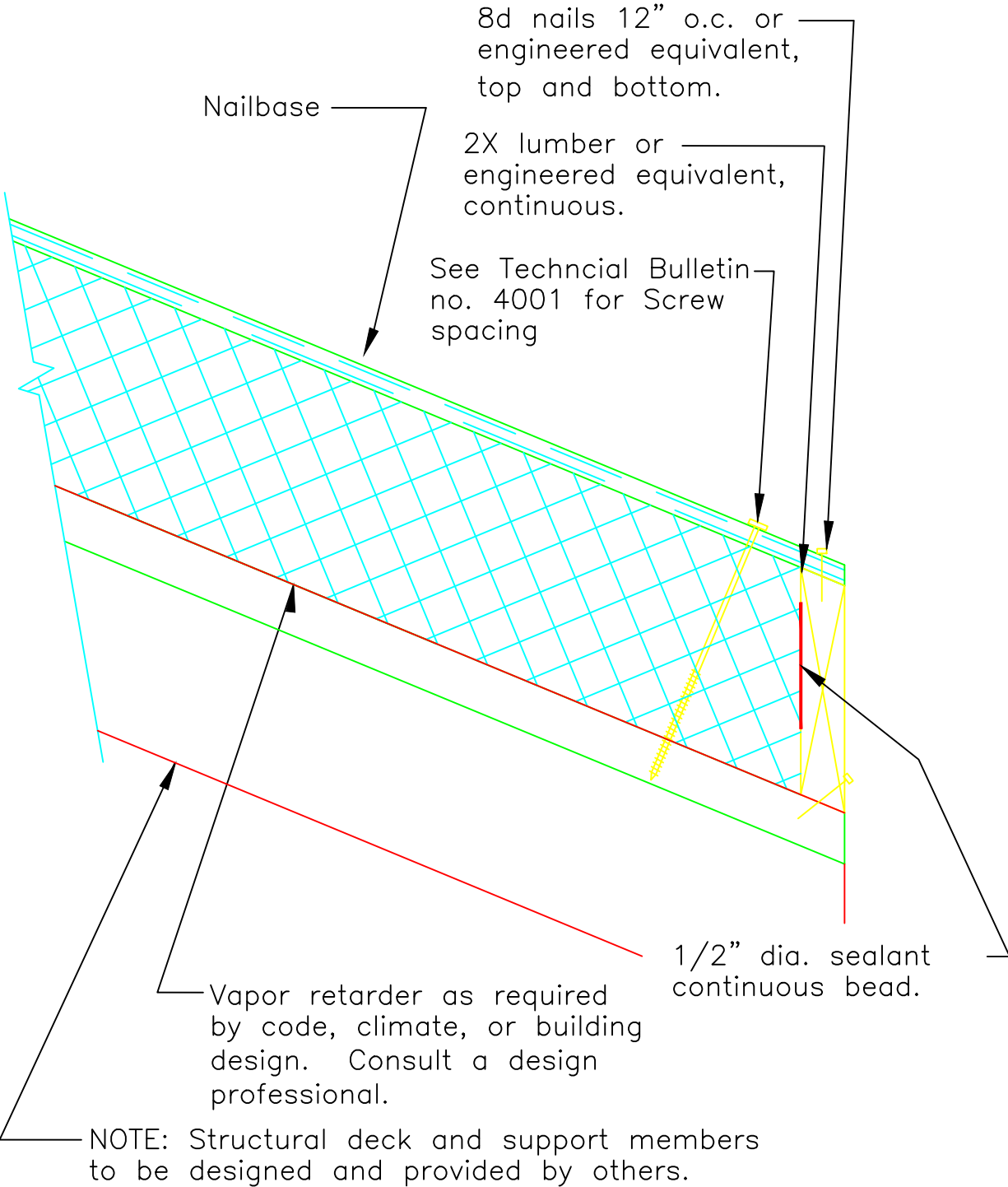
# SECTION

Scale: NTS

Updated 6-1-20

## Nailbase

TITLE:	Square Cut Eave	NO.	NB-103
--------	-----------------	-----	--------



# SECTION

Scale: NTS

Updated 6-1-20

Nailbase	
TITLE: Plumb Cut Eave	NO. NB-103a

Nailbase Vent-1 or Vent-2.

HI-PERF vented fascia by METAL-ERA or equivalent.

Roof covering.

Underlayment.

See Technical Bulletin no. 4001 for screw spacing.

Vapor retarder as required by code, climate, or building design. Consult a design professional.

NOTE: Structural deck and support members designed and provided by others.

Airflow.

# SECTION

Scale: NTS

Updated 6-1-20

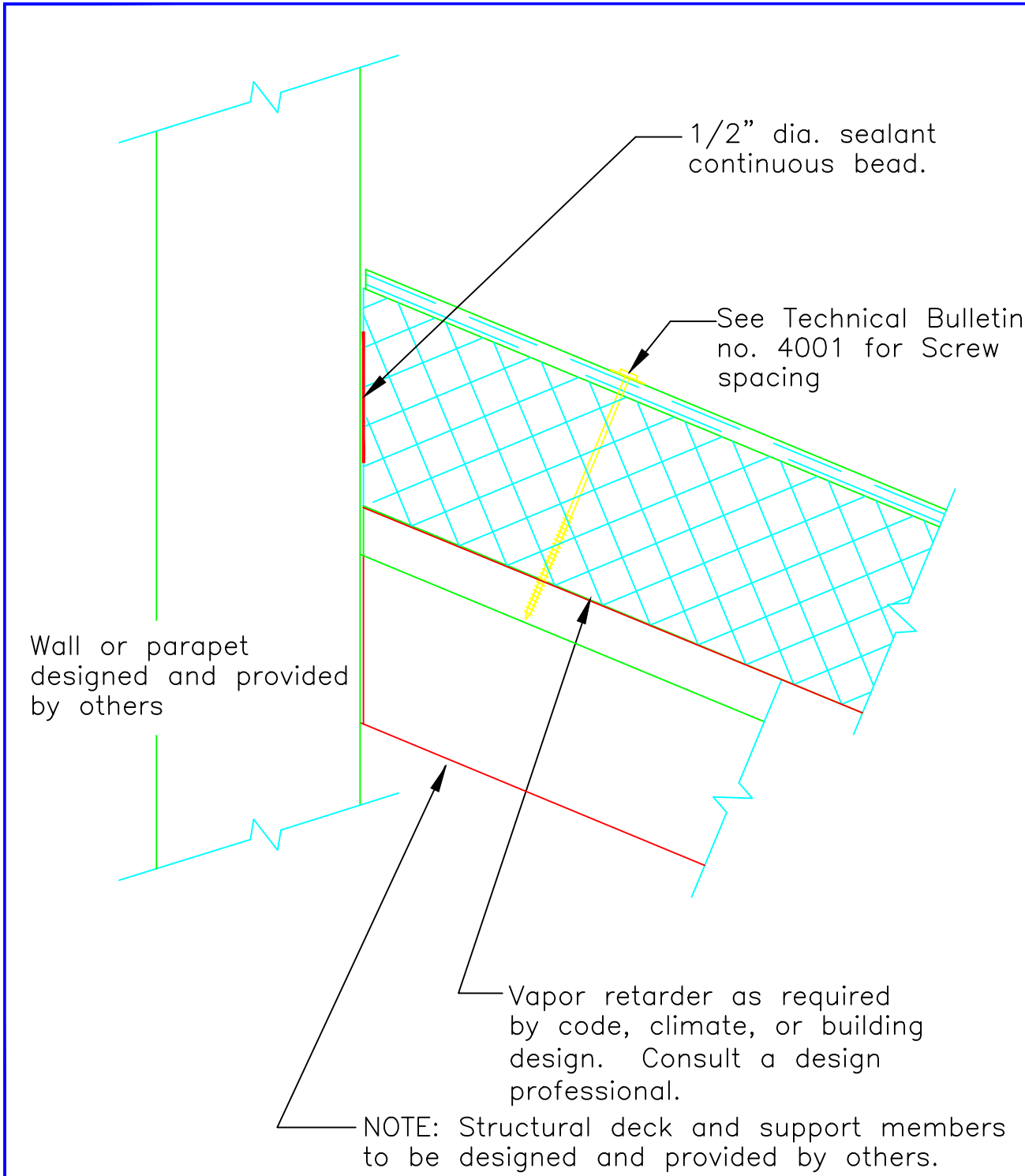
## Nailbase

TITLE:

Vented Eave

NO.

NB-103b



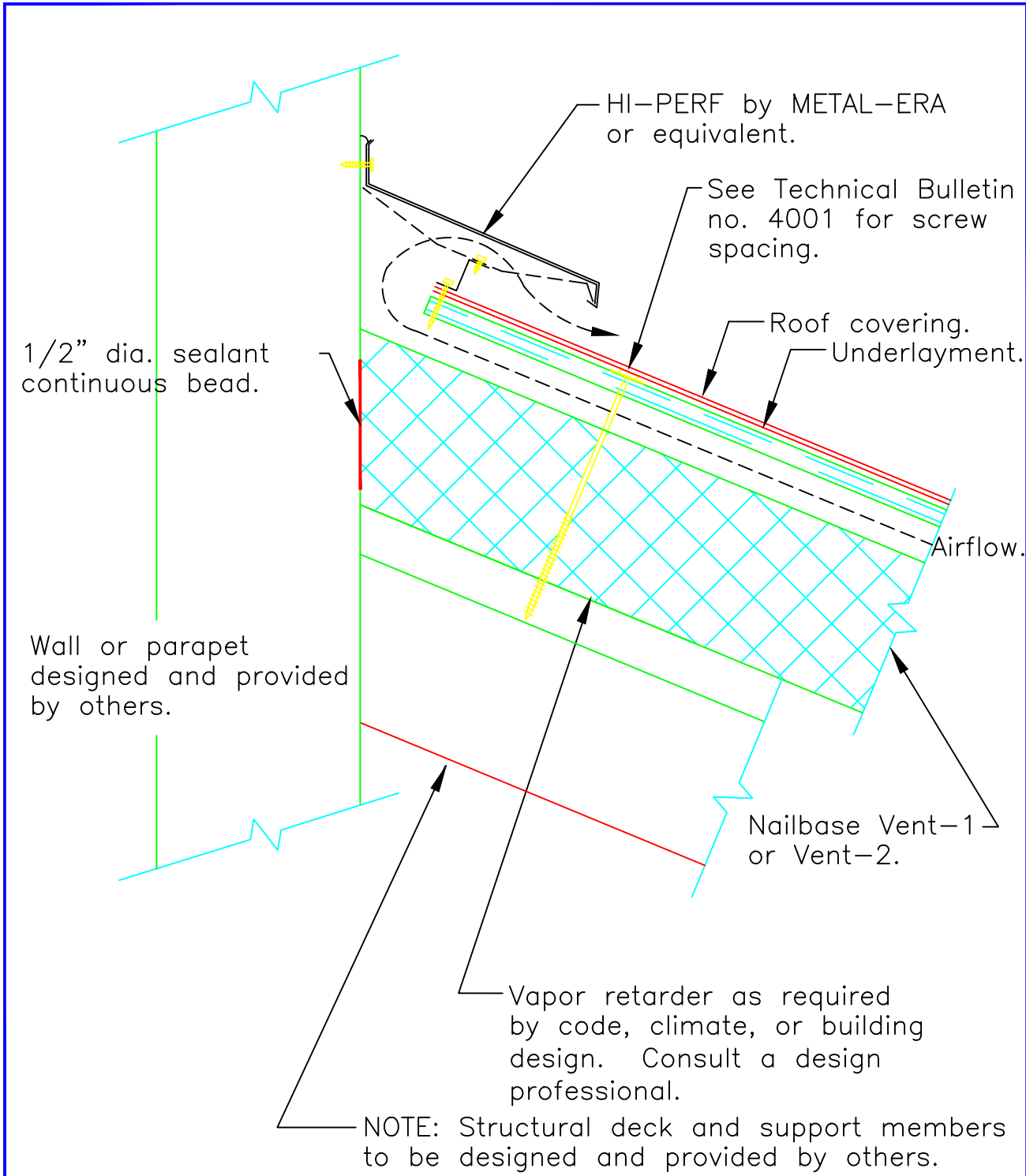
# SECTION

Scale: NTS

Updated 6-1-20

## Nailbase

TITLE:	NO.
Wall Intersection	NB-104a



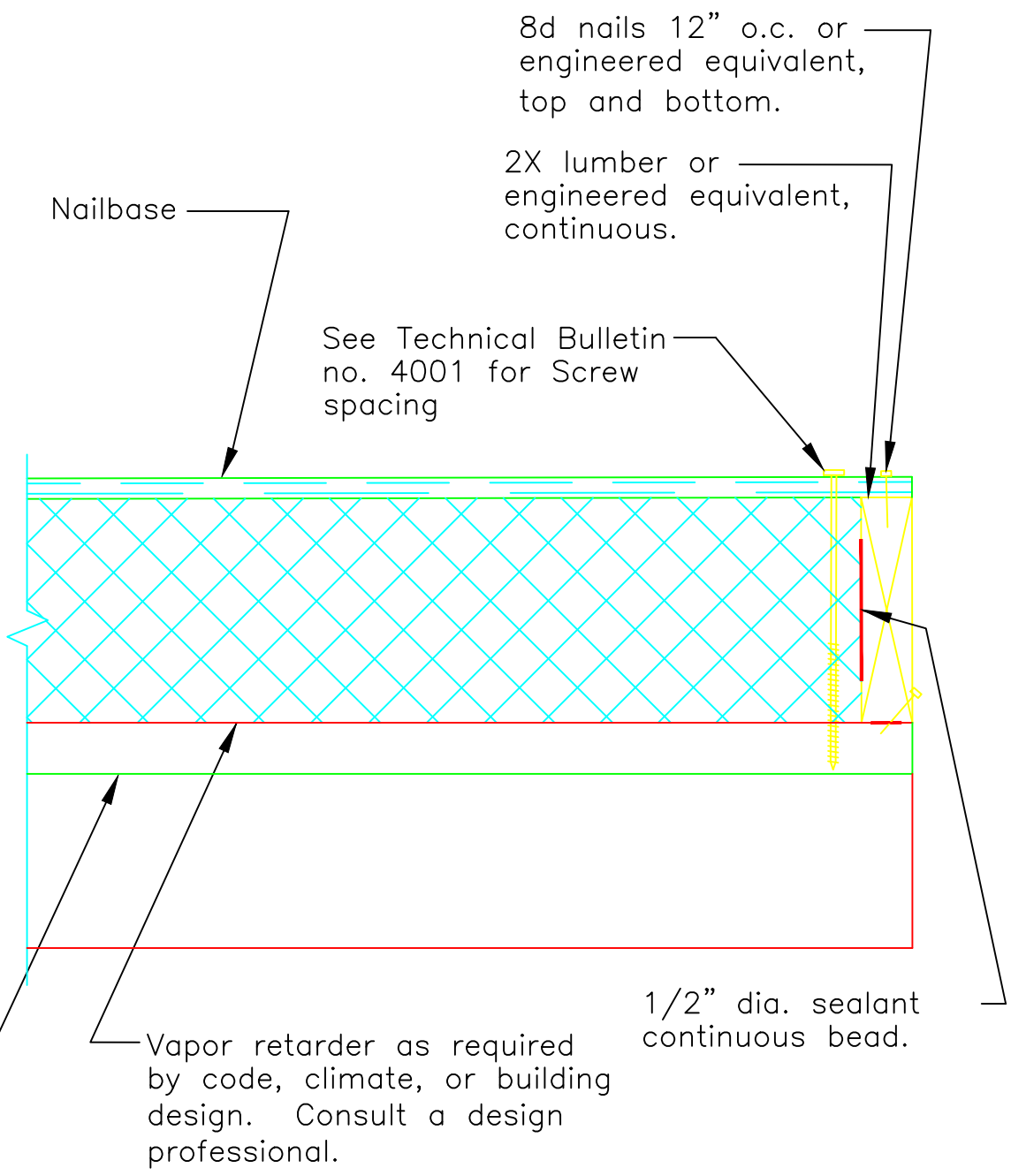
# SECTION

Scale: NTS

Updated 6-1-20

## Nailbase

TITLE: Vented Wall Intersection	NO. NB-104b
------------------------------------	----------------



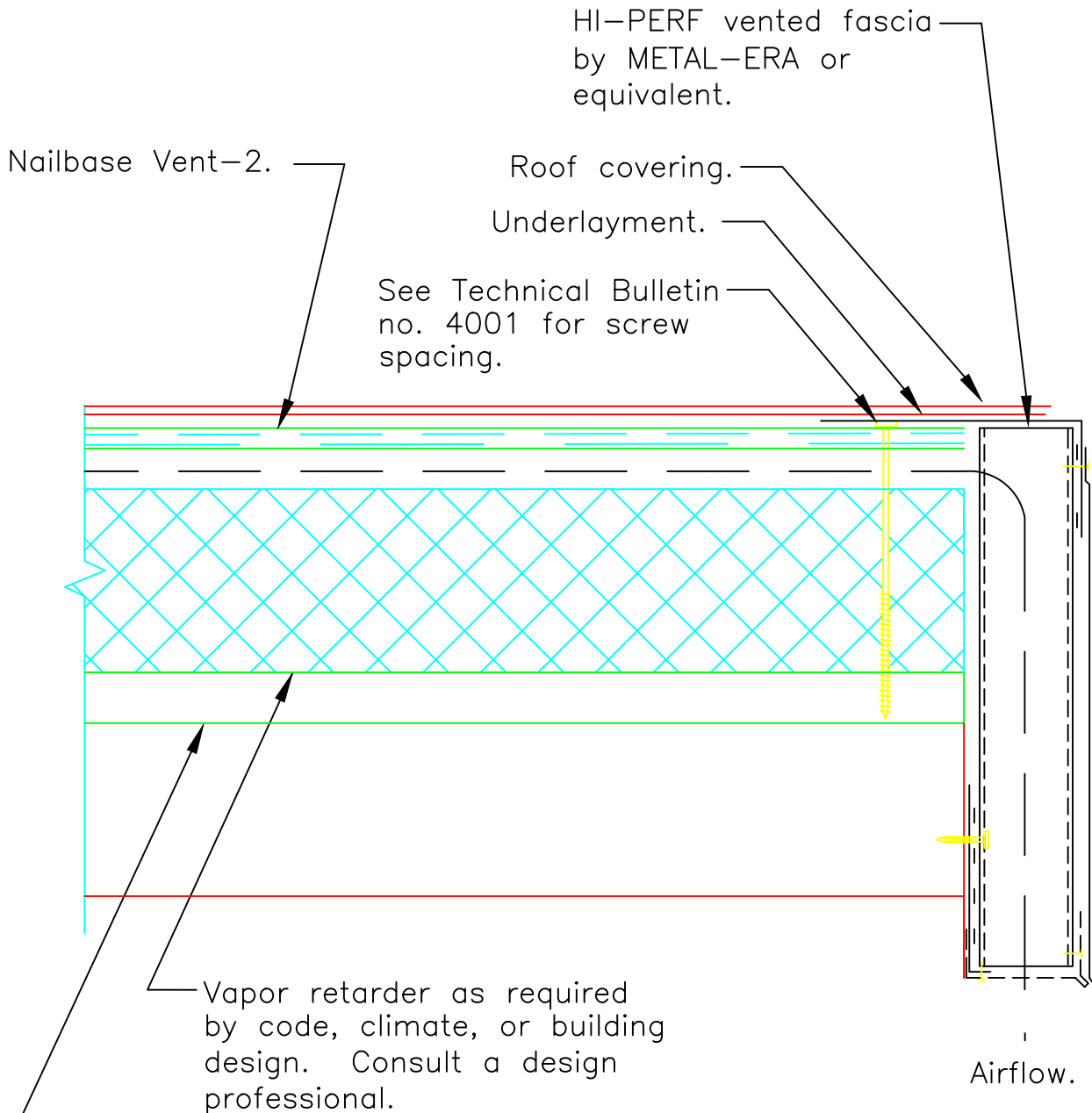
NOTE: Structural deck and support members to be designed and provided by others.

# SECTION

Scale: NTS

Updated 6-1-20

Nailbase	
TITLE: Gable End	NO. NB-105



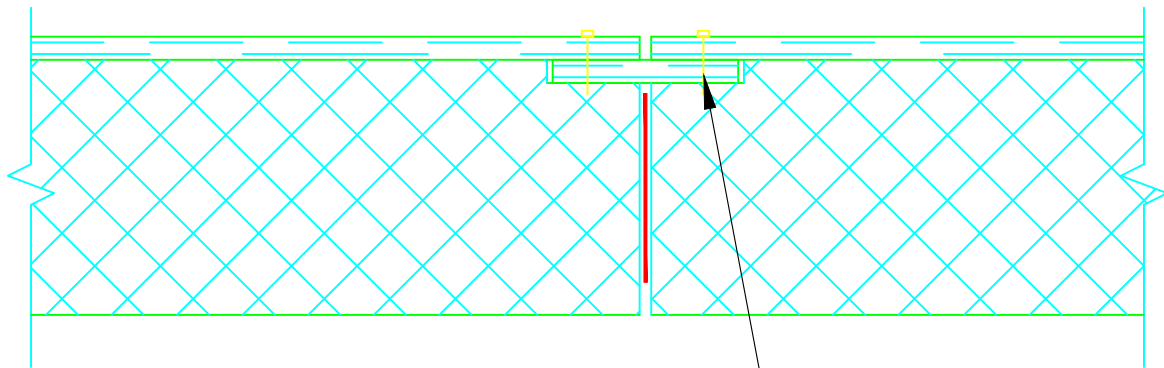
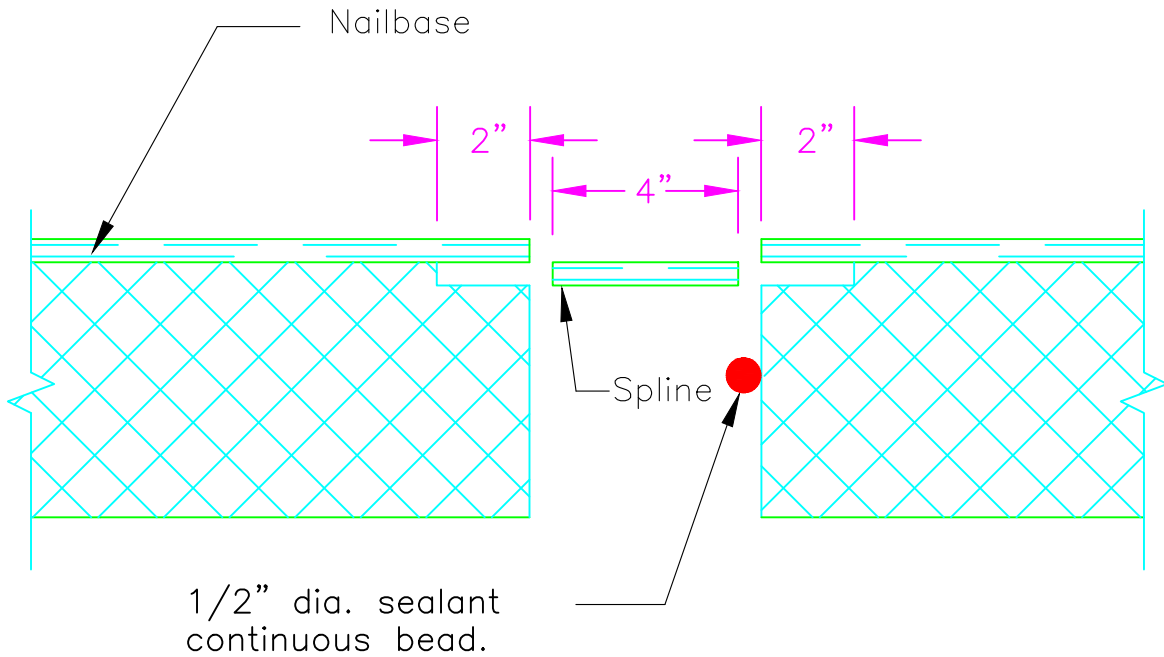
NOTE: Structural deck and support members to be designed and provided by others.

# SECTION

Scale: NTS

Updated 6-1-20

Nailbase	
TITLE: Vented Gable	NO. NB-105a



Nailing on each side of OSB joint to be:  
 6" o/c using 8d nails  
 6" o/c using 14GAx1 1/2" staples  
 4" o/c using 16GAx1 1/2" staples

Note: Spline material to conform to:  
 DOC PS2-92, min thickness equal to panel OSB thickness

## SECTION

Scale: NTS

Updated 6-1-20

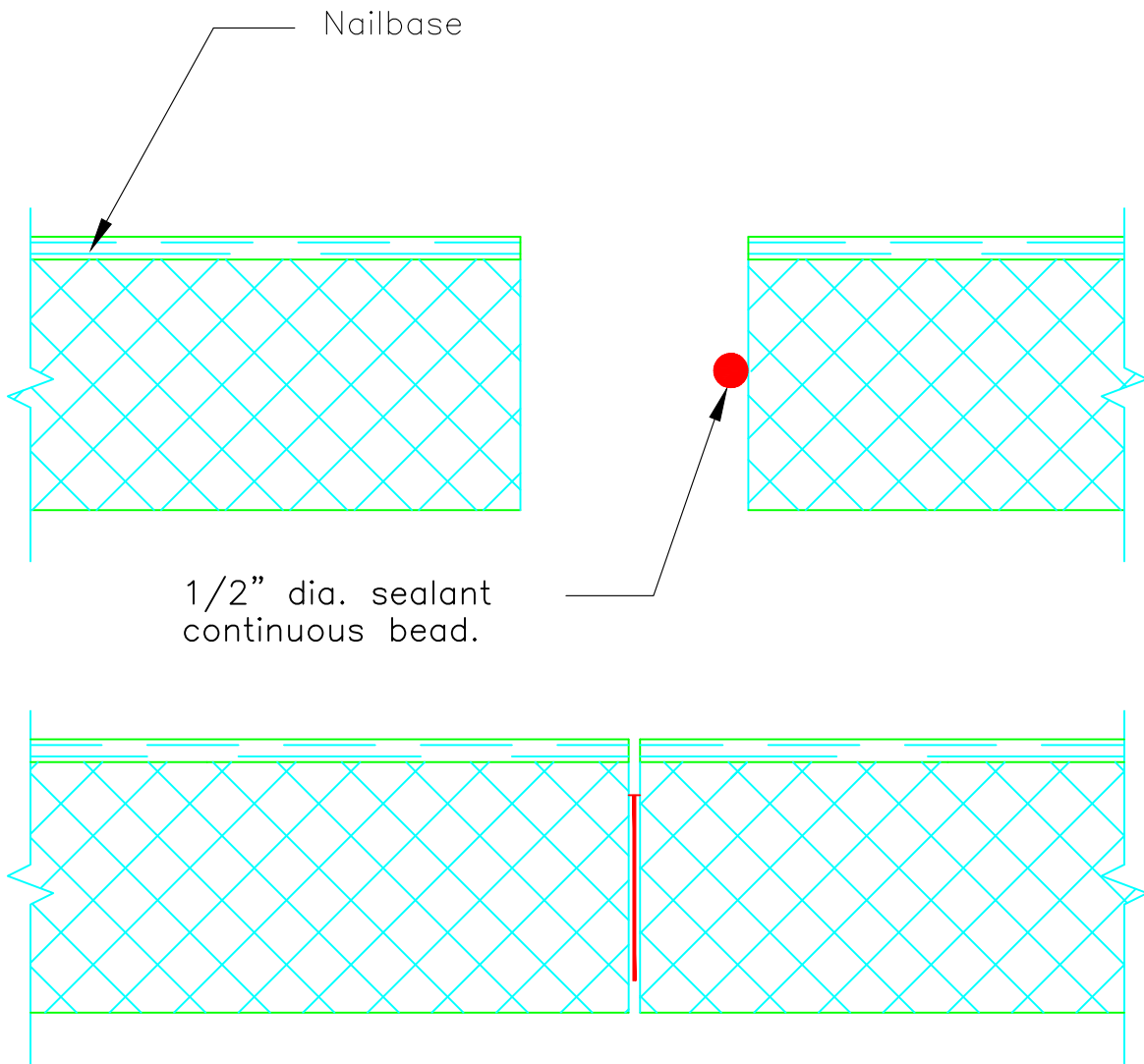
### Nailbase

TITLE:

Spline Connection

NO.

NB-106



# SECTION

Scale: NTS

Updated 6-1-20

## Nailbase

TITLE:

Butt Connection

NO.

NB-106a

## Product Availability and Support.

R-Control SIPS Nailbase is supported by a team of experts who work with you to answer your questions, offer solutions, and do everything they can to make sure your project goes smoothly and ends successfully.

## Ready to take control? Start here.

If you're ready to have R-Control SIPS contribute to your next project, just contact your R-Control SIPS Technical Sales Representative. We will be happy to give you design consultation, information about R-Control SIPS products, pricing, and answers to all of your questions.



[sales@rcontrolsips.com](mailto:sales@rcontrolsips.com)  
[www.rcontrolsips.com](http://www.rcontrolsips.com)



Copyright © 2025  
R-Control SIPS, LLC.  
All rights reserved. Printed in USA.



1450 N. Waco St.  
Hillsboro, Texas 76645

254-324-7477  
(SIPS)